

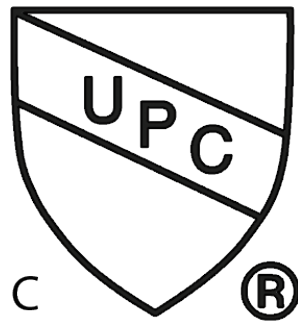


 **Badeloft**[®]
Edle Badezimmer

**Installation Instructions
for all AT series
freestanding faucets:**

Freestanding Bathtub Faucet Installation

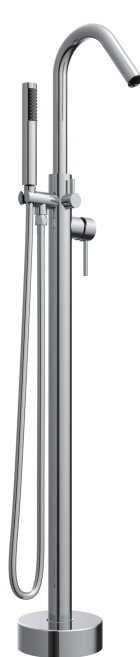
For optimal performance and safety, it is essential to have your installation performed by a certified plumber. Should you have any questions or concerns about the installation process, please feel free to discuss with your plumber.



AT-01



AT-02



AT-03



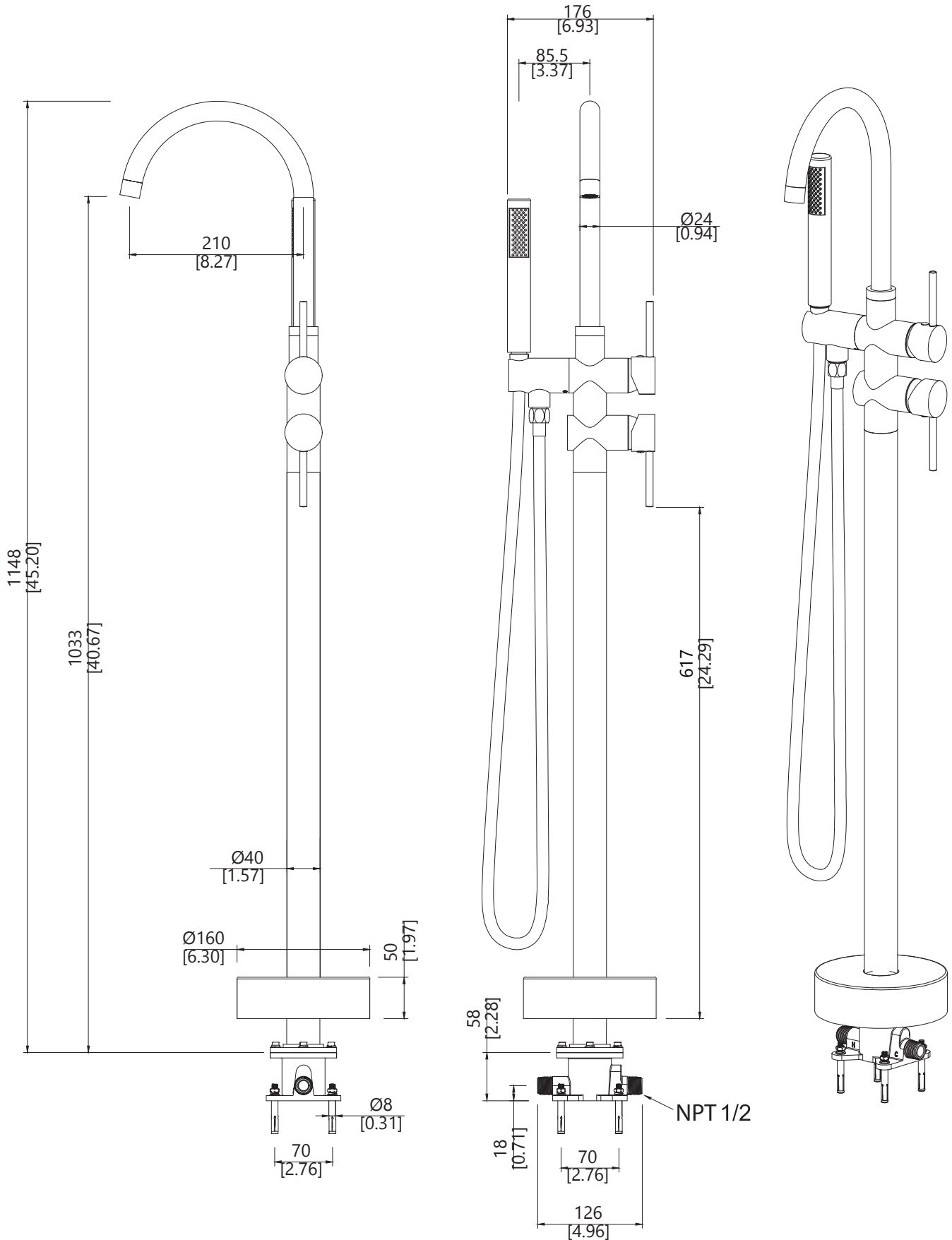
AT-04



AT-05

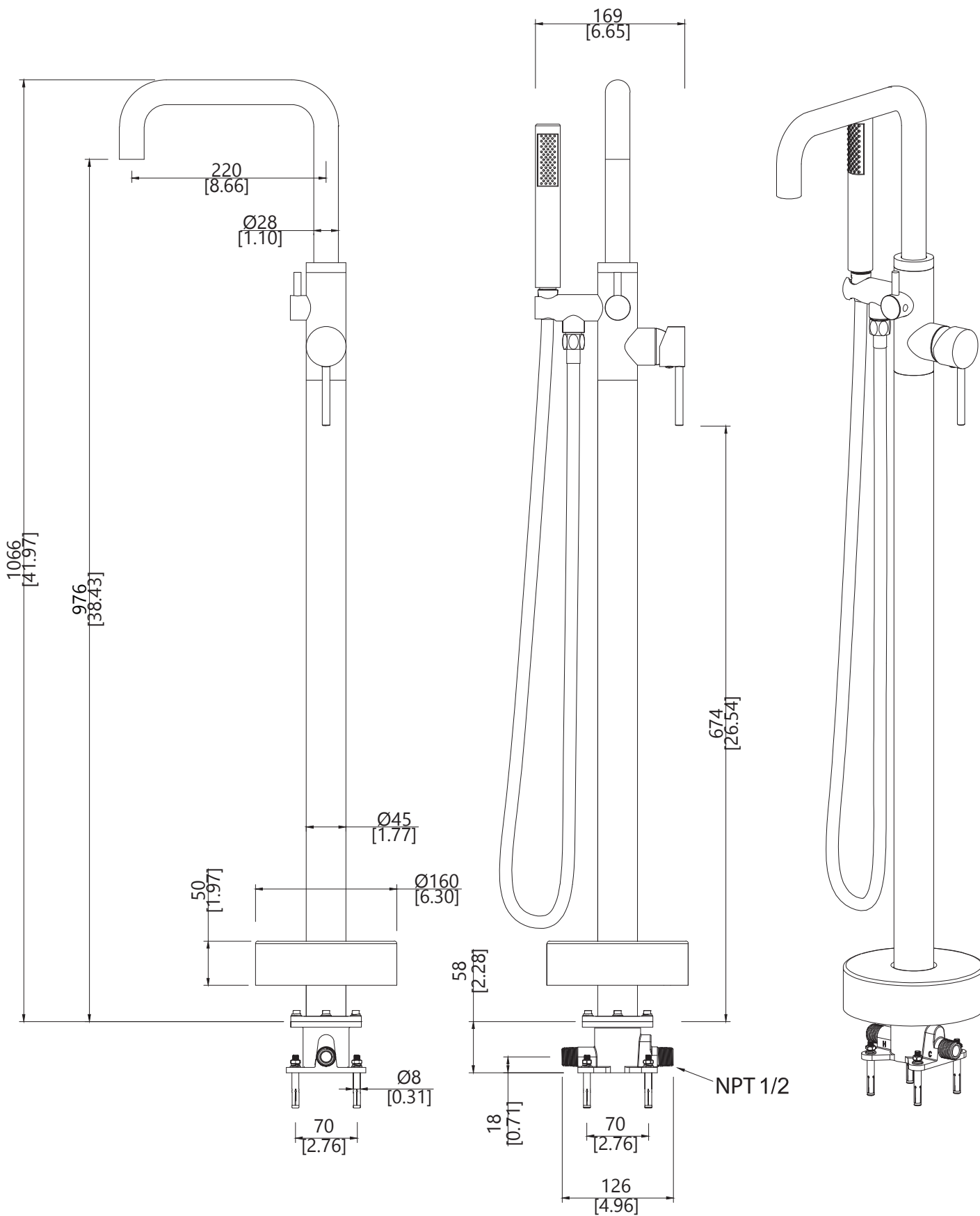
AT-01

Unit: mm/in



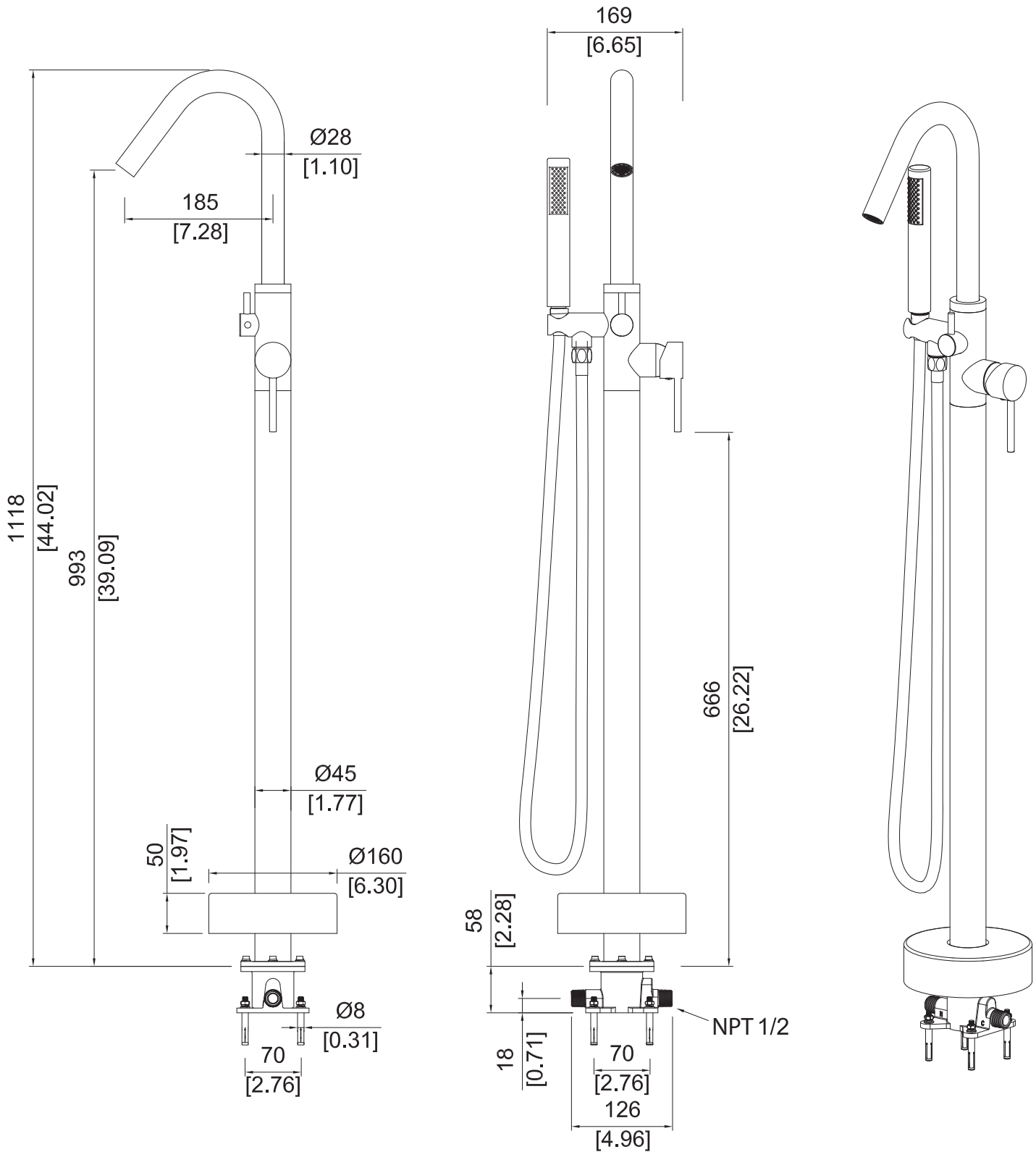
AT-02

Unit: mm/in



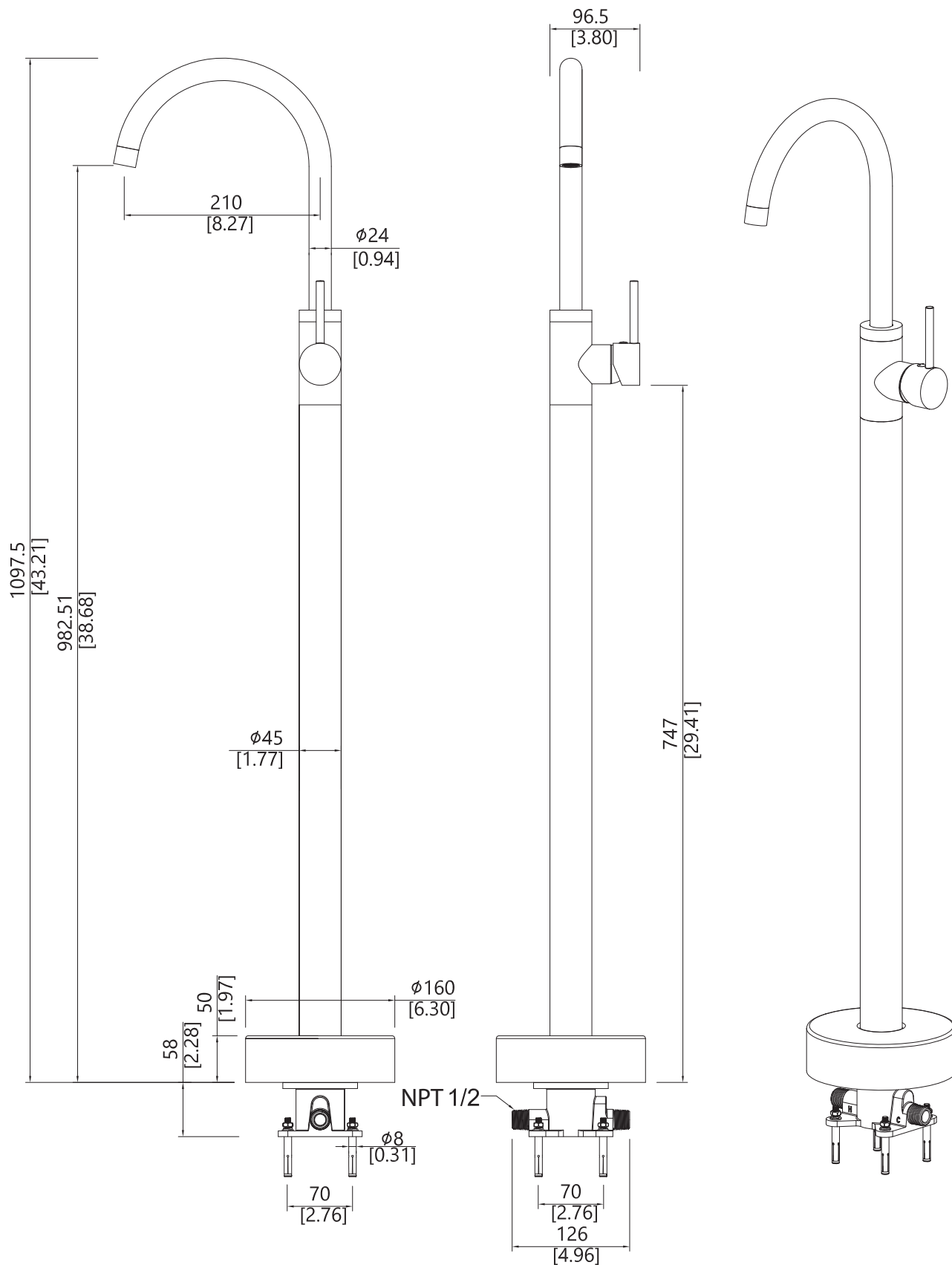
AT-03

Unit: mm/in

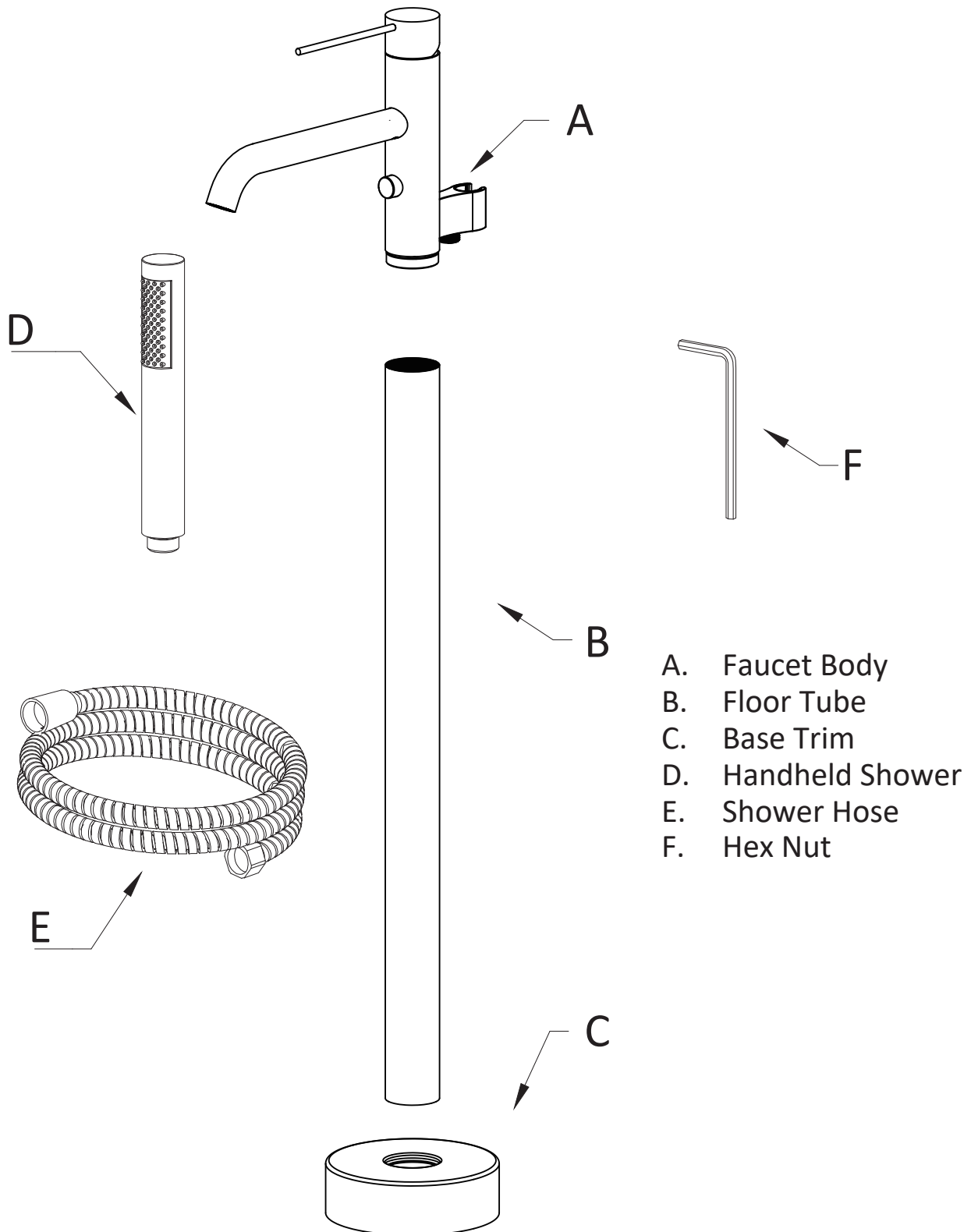


AT-05

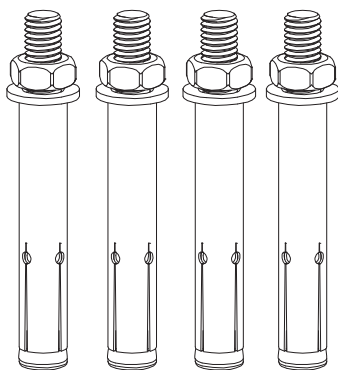
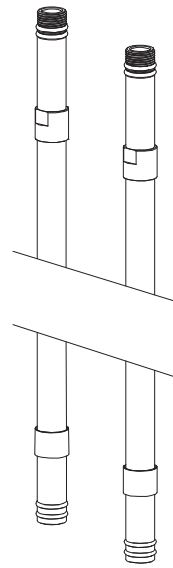
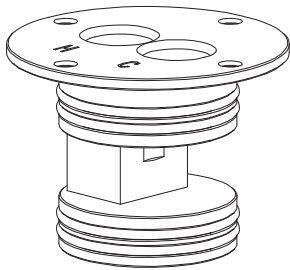
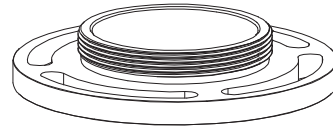
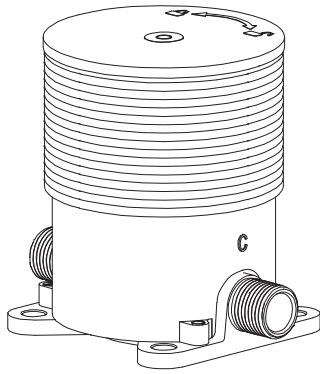
Unit: mm/in



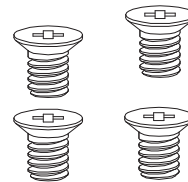
Parts List



Parts List



a.



b.

It is advisable to have this product installed by a certified professional plumber.

Before installing, flush the water system thoroughly to prevent any metal debris, solder, or other impurities from damaging the cartridge.

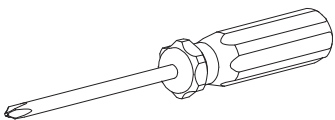
Prior to starting any work, ensure the water supply is turned off.

Please carefully read these instructions and keep them for future reference.

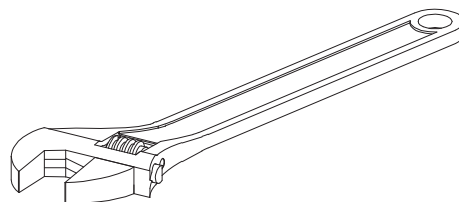
NOTICE: To avoid damage to the O-rings on the bottom of the faucet, keep the faucet vertical and use care when installing the faucet.

The appearance of your faucet may differ from the illustrations in this guide. these instructions still apply.

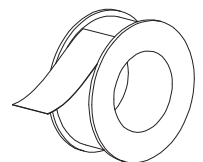
Tools You May Need



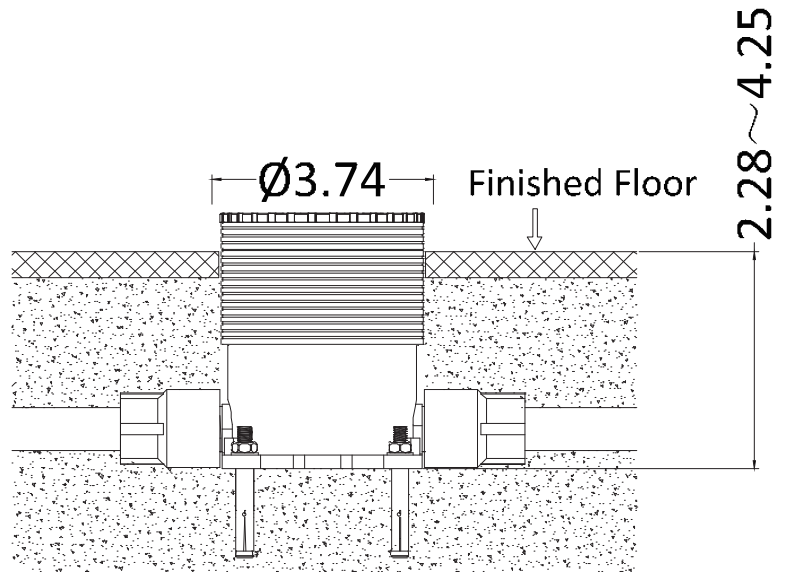
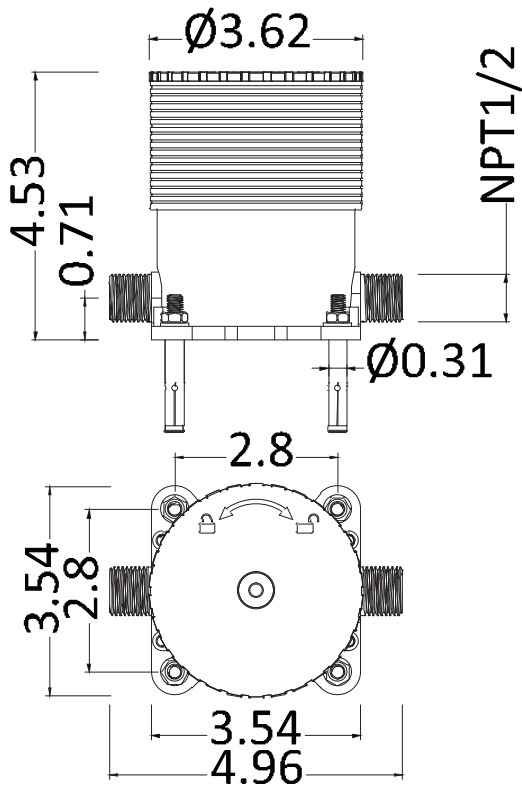
Screwdriver



Wrench

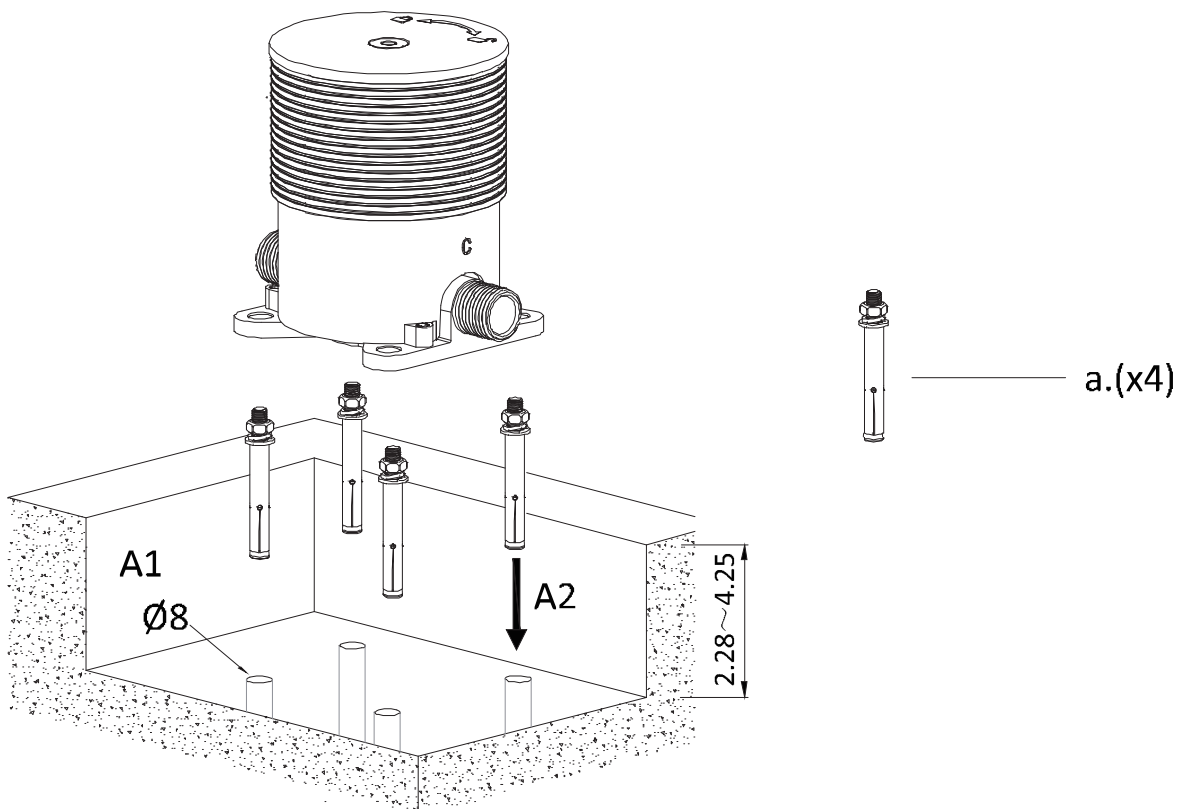


Plumbers Tape

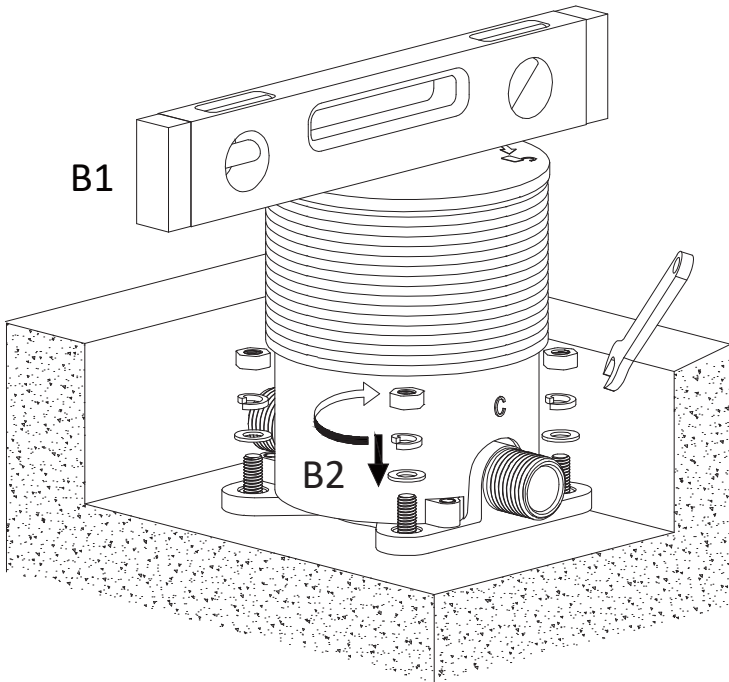


Unit:Inches




A



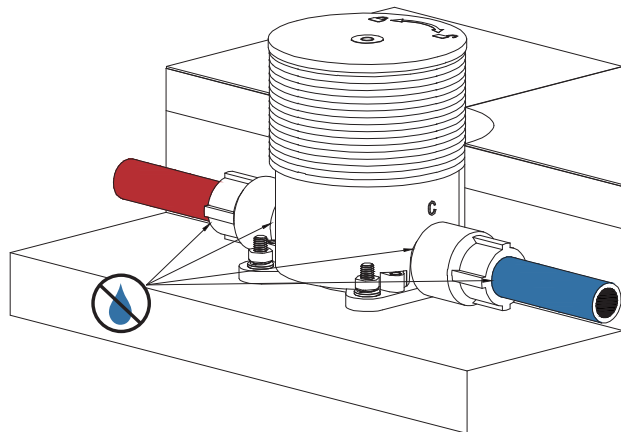
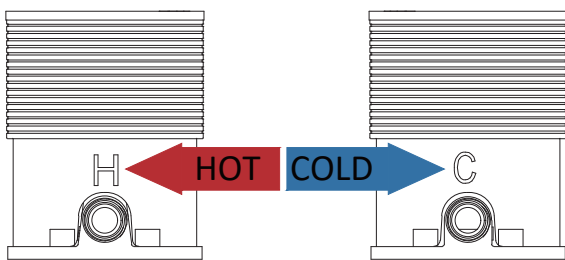
B



B1.Ensure the rough in box is square and level to finished floor

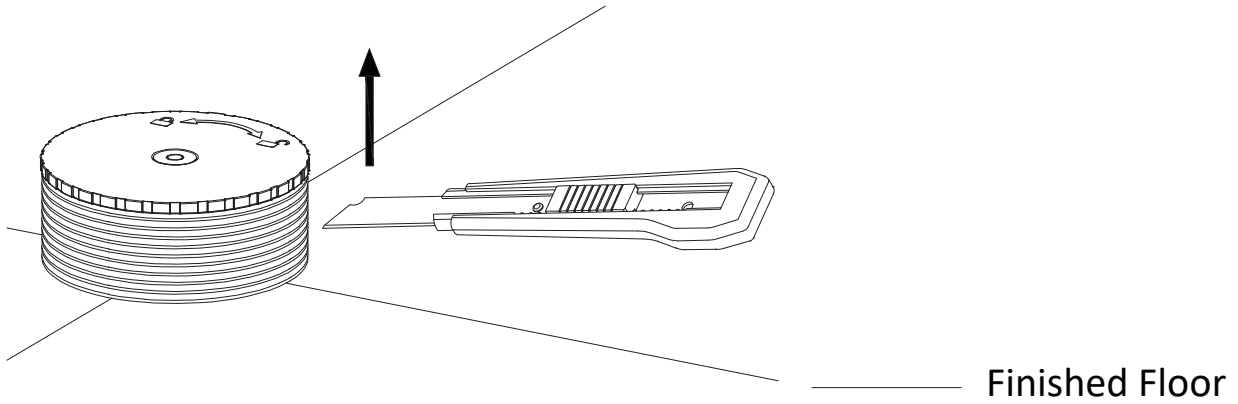
-  ————— Nut (x4)
-  ————— Spring Washers (x4)
-  ————— Washers (x4)

C

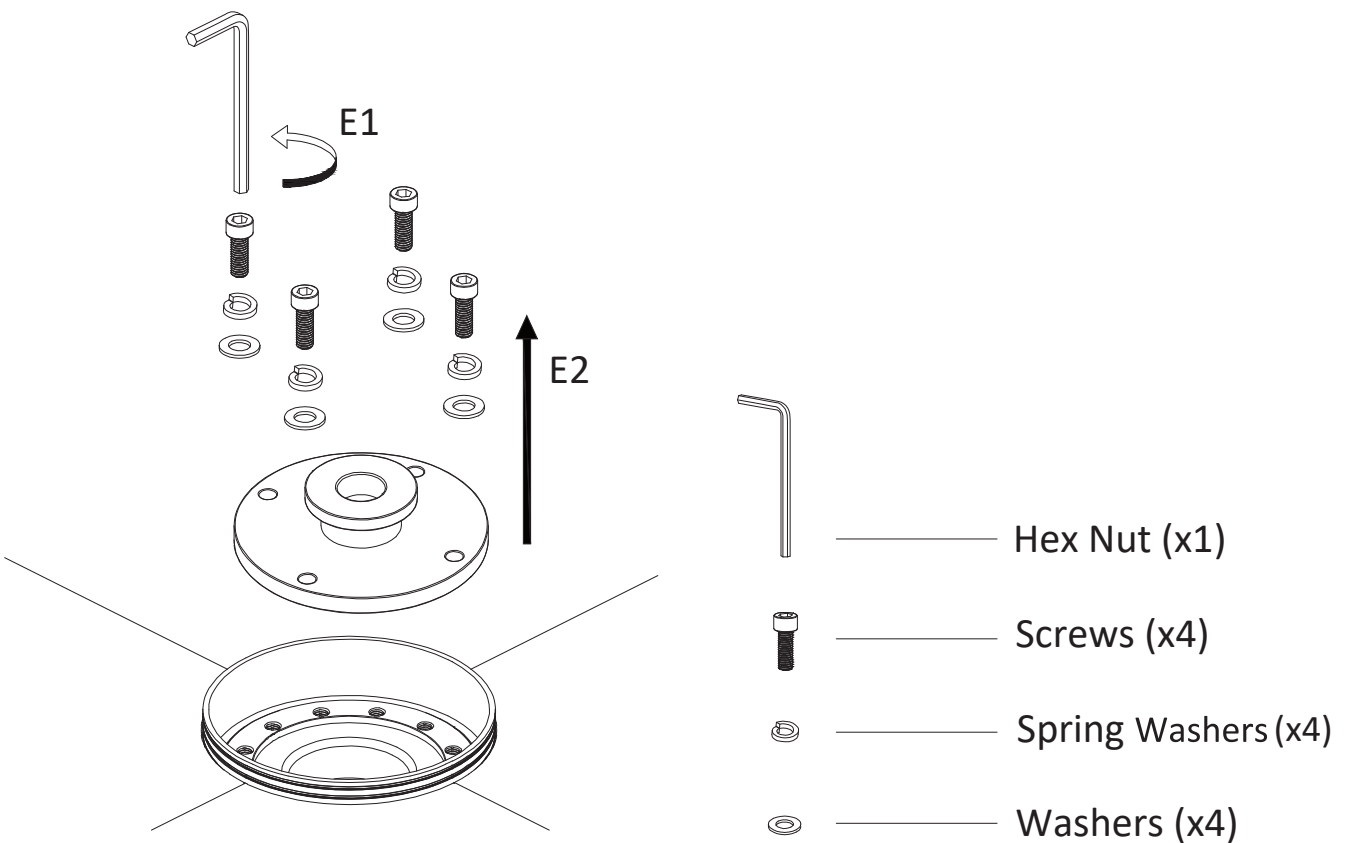


Connect the Hot & Cold Water Pipes

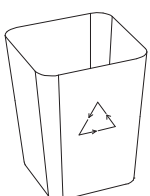
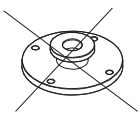
D



E

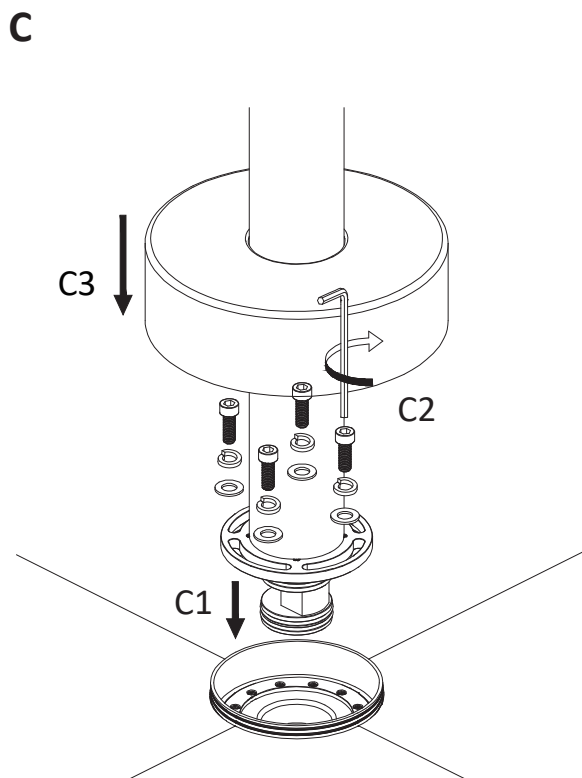
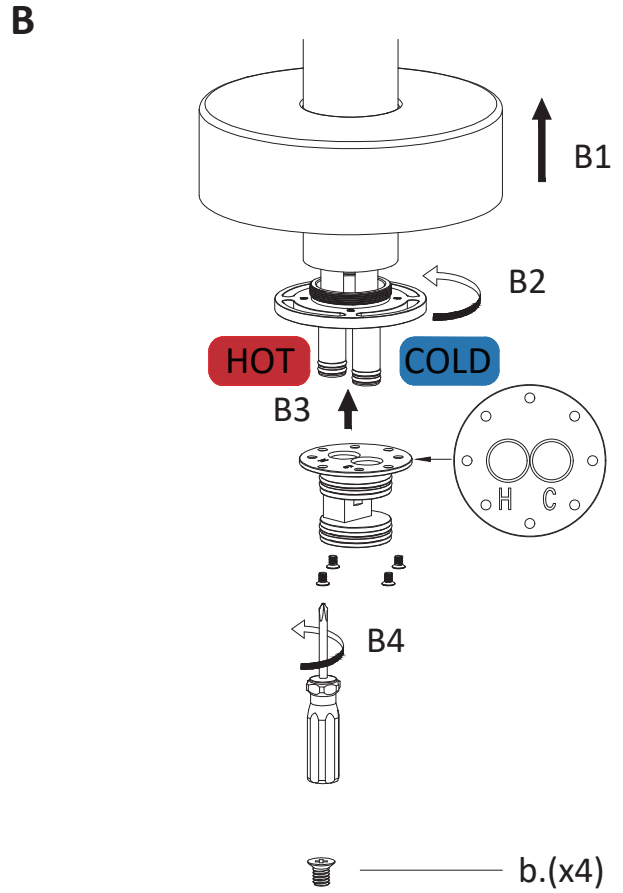
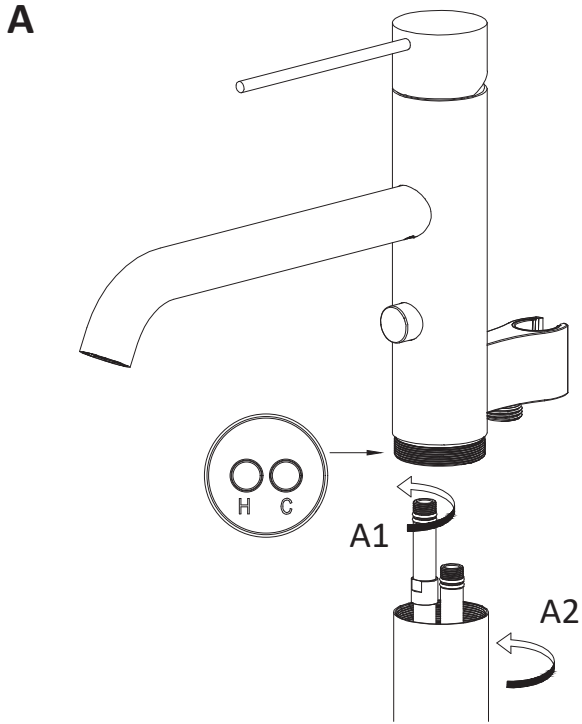


Notice: All Screws, Spring Washers and Washers are included with the white plastic plug.

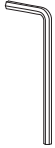





Please keep the screws, spring washers and washers for the completion of the installation

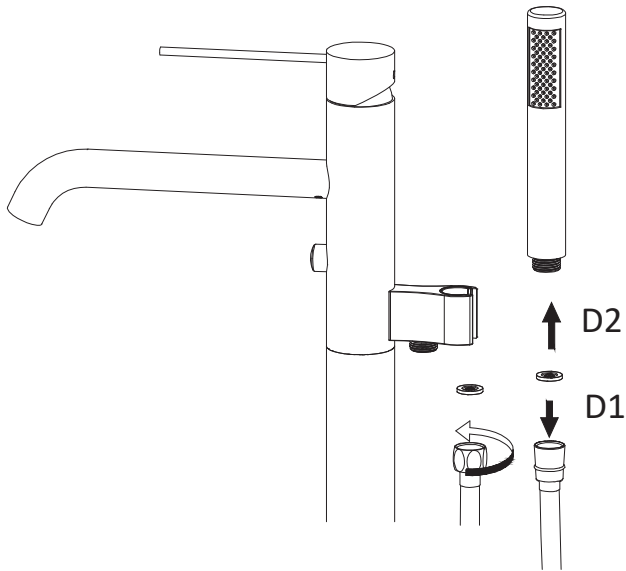
*The White Plastic Plug can be discarded after the installation.



C1.Insert the plug.
The trim can be rotated 360°

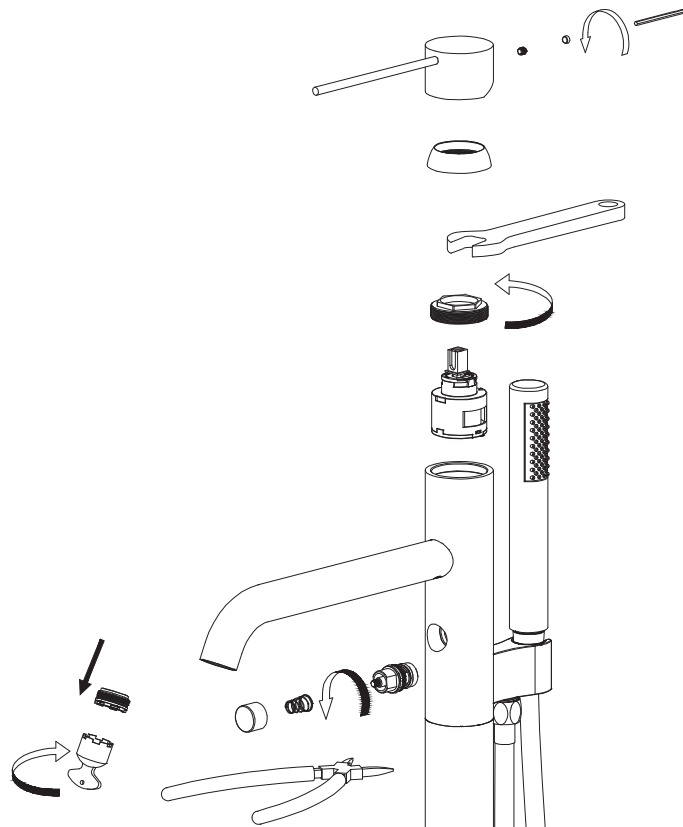
-  Hex Nut (x1)
-  Screws (x4)
-  Spring Washers (x4)
-  Washers (x4)

D



Ensure the rubber washers are both installed on both sides of the shower hose.

REPLACING THE SPARE PARTS



 **Badeloft**[®]
Luxury Bathrooms

